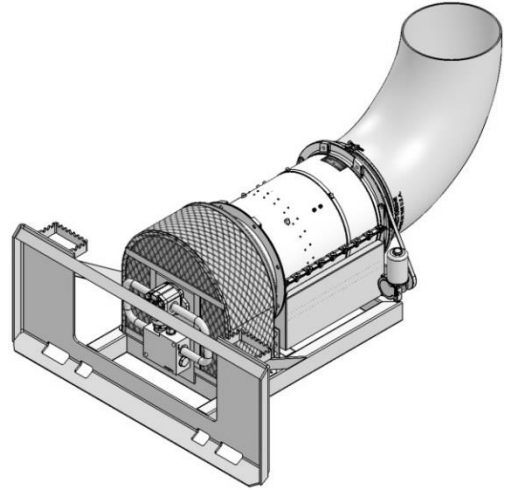




*Better
Chicken Houses*

Hydraulic Debris Blower Model # BT-HYSS3

To request pricing, call 864-508-2447 today.



Warranty	One Year Buffalo Turbine Warranty
Motor Warranty	1 Year Warranty
Input Power:	Hydraulic motor
Input RPM:	Up to 3600 RPM*
Outlet Size:	12"
Frame Length	39"
Overall Length with Nozzle	64"
Width:	46"
Max Height with nozzle in upright position	32"
Weight:	300 lbs
Nozzle Rotation:	360 Degrees
Hydraulic Motor Displacement size	.915 cu.in./Rev
Required minimum hydraulic pressure (to operate @ stated values)	2900 psi
Maximum Hydraulic flow rate	25 GPM
Mounting (any position)	SAE "A" size, 2 bolt
Shaft Seal Max. Pressure	250 psi
Port location	Side ports

(*) Flow Rates below 16 gpm will reduce the Blower output (RPM) please contact Buffalo Turbine for More information.

CONTACT BUFFALO TURBINE FOR FLOW RATES THAT EXCEED 25 GPM

It is necessary to warm up the hydraulic vehicle for 5 minutes to get the hydraulic oil up to operating temperature

864-508-2447 | BetterChickenHouses.com